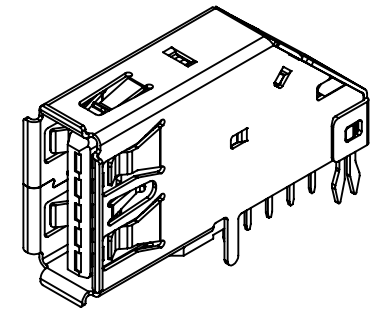


TOLERANCE UNLESS OTHERWISE SPECIFIED	
.X	±0.25
.XX	±0.13
.XXX	±0.05

THIS IS A C.A.D. GENERATED DRAWING  
DO NOT MAKE MANUAL REVISIONS TO MASTER.



ISSUE NUMBER	
ORIGINAL	①



**NOTE:**

**ELECTRICAL SPECIFICATIONS:** 30V MAX.  
**VOLTAGE RATING:** 1.8A per CONTACT  
**CURRENT RATING:** 30mΩ MAX. INITIAL FOR  
**CONTACT RESISTANCE:** VBUS AND GND CONTACTS  
 50mΩ MAX. INITIAL FOR ALL  
 OTHER CONTACTS

**INSULATOR RESISTANCE:** 100MΩ min.  
**DIELECTRIC WITHSTANDING  
 VOLTAGE:** 100V AC  
**OPERATING TEMPERATURE:** -40°C ~ 85°C  
**STORAGE TEMPERATURE:** -20°C ~ 60°C

**MATERIAL & FINISH:**

**SHELL:** STAINLESS STEEL, T=0.30,  
 NICKEL PLATING  
**HOUSING:** LCP, BLUE IN COLOUR, UL94V-0  
**CONTACTS:** COPPER ALLOY, T=0.20,  
 TIN PLATING ON SOLDER TAILS,  
 30μ" GOLD PLATING  
 ON CONTACT AREA



THIS SERIES FULLY CONFORMS TO  
THE EUROPEAN UNION DIRECTIVES  
2011/65/EU FOR RoHS COMPLIANCY.



YOUR CONNECTION TO QUALITY & SERVICE

EDAC INC  
TORONTO, ONTARIO  
CANADA

THESE DRAWINGS AND SPECIFICATIONS  
ARE THE PROPERTY OF EDAC INC., AND  
SHALL NOT BE REPRODUCED, OR COPIED  
OR USED AS THE BASIS FOR THE  
MANUFACTURE OR SALE OF APPARATUS  
WITHOUT WRITTEN PERMISSION.

**690 SERIES RECEPTACLES USB 3.0  
TYPE-A UPRIGHT R/ANGLE PCB**

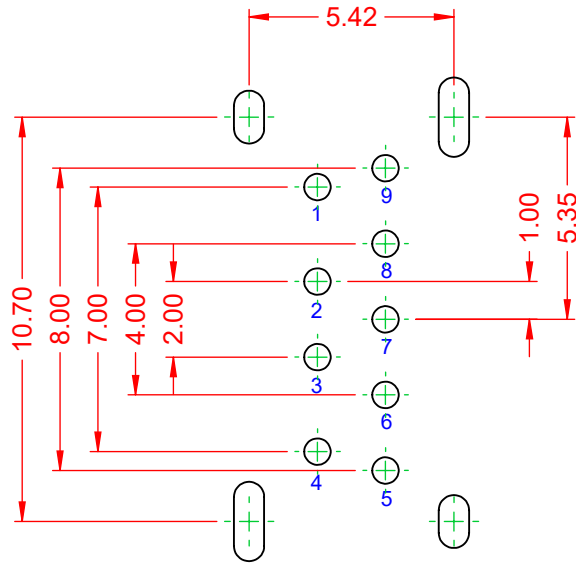
ACAD REFERENCE NO.: 690D109-X39-0XX	
DRAWN: C.B	DATE: December 17, 2020
CHECKED:	DATE:
SCALE: 2:1	SHEET 1 OF 2
DRAWING NUMBER: 690D109-X39-0XX	ISSUE
PART NUMBER: 690D109-639-012	1

TOLERANCE UNLESS OTHERWISE SPECIFIED	
.X	±0.25
.XX	±0.13
.XXX	±0.05

THIS IS A C.A.D. GENERATED DRAWING  
DO NOT MAKE MANUAL REVISIONS TO MASTER.

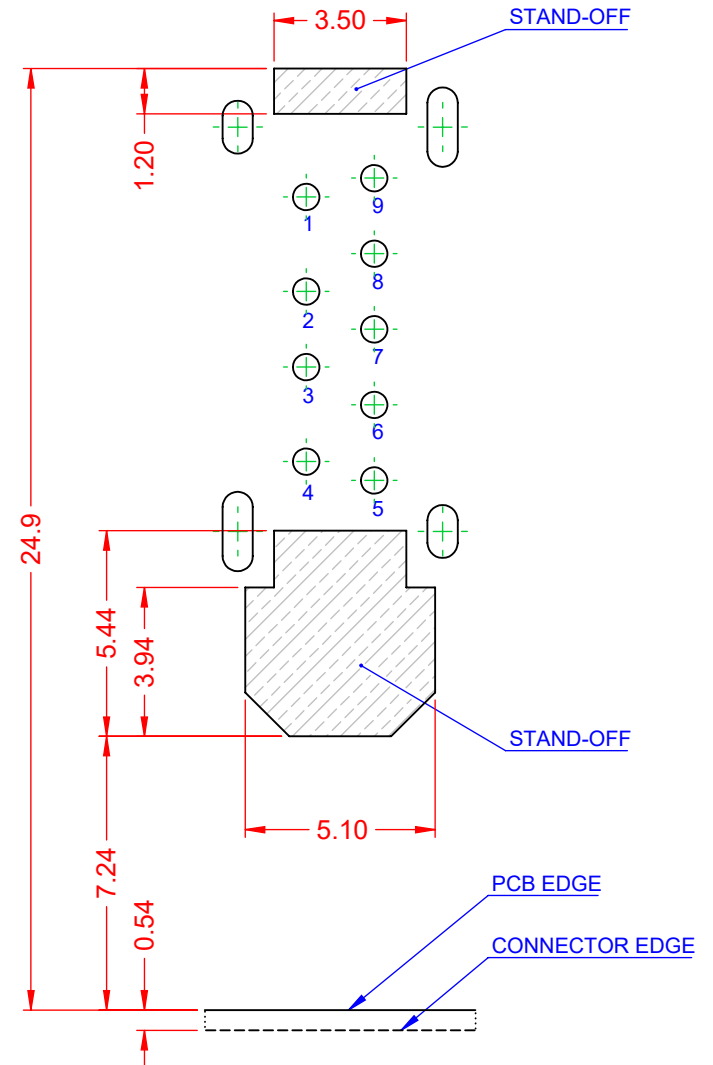


ISSUE NUMBER	
ORIGINAL	①



⊕0.10Ⓢ XⓈ YⓈ

RECOMMENDED PCB LAYOUT (COMPONENT TOP VIEW)  
THK=1.60 ALL TOL IS ±0.10



690 SERIES RECEPTACLES USB 3.0  
TYPE-A UPRIGHT R/ANGLE PCB

ACAD REFERENCE NO.: 690D109-X39-0XX	
DRAWN: C.B	DATE: December 17, 2020
CHECKED:	DATE:
SCALE: 5:1	SHEET 2 OF 2
DRAWING NUMBER: 690D109-X39-0XX	ISSUE
PART NUMBER: 690D109-639-012	1



THIS SERIES FULLY CONFORMS TO  
THE EUROPEAN UNION DIRECTIVES  
2011/65/EU FOR RoHS COMPLIANCY.



EDAC INC  
TORONTO, ONTARIO  
CANADA  
YOUR CONNECTION TO QUALITY & SERVICE

THESE DRAWINGS AND SPECIFICATIONS  
ARE THE PROPERTY OF EDAC INC., AND  
SHALL NOT BE REPRODUCED, OR COPIED  
OR USED AS THE BASIS FOR THE  
MANUFACTURE OR SALE OF APPARATUS  
WITHOUT WRITTEN PERMISSION.